

BUIC SCANNER USB2 – PROGRAM FOR TESTING

The scanner is equipped with a CD with a base program which allows the operator to verify the good functioning of the scanner, modify the parameters of configurations, to file the images and code line in the hard disk of the computer, under the current Directory.

Note: the program will work with Windows 98, Windows2000 or XP

Instructions to install the Demo program

1. Insert the disk for installation in the CD-ROM
2. Click on **Start**
3. Click on **Execute**
4. Select : D\Tester\B3X0_ (program version).exe, OK
5. Follow the instructions on the screen.

Important:

The software, if not modified, will be installed in the folder **X:\Programmi\Buic\B3X0ScanColor**. In the same folder, with the scanning of the first document, it will be created a new folder **Images** where all the images will be filed and the file **Codeline.txt** with the magnetic and optical Codeline.

To start the program click on the icon **Buic Scan Color**

Note: the scanner will start only if the scanner is connected to USB port and if is on.

This window will appear:

LUT rebuilding (LUT = Look Up Table)



Click on OK

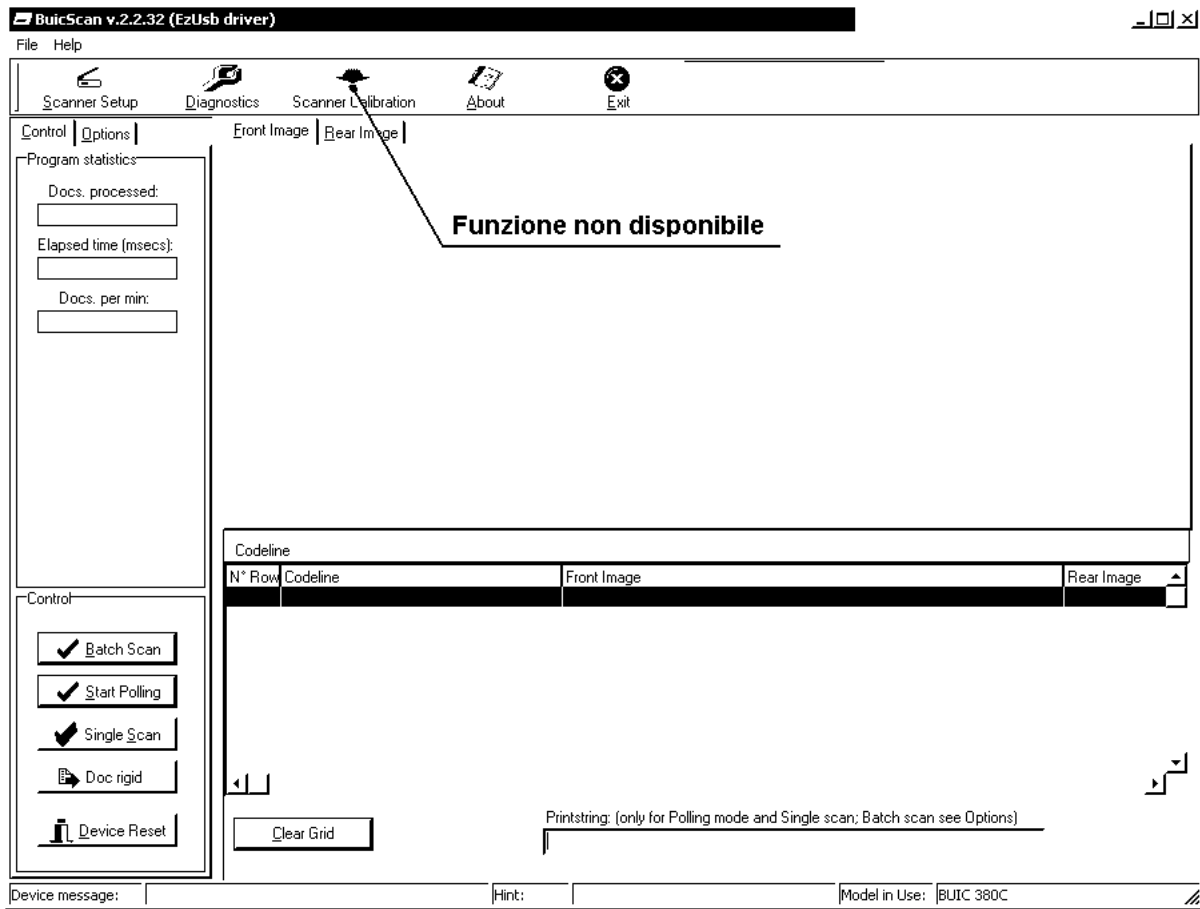
The first time that you connect the scanner to the PC, the dates of the calibration of the colors and level of grays of the images will be transferred from the memory of the scanner to the computer and memorized in five files in the folder “BuicLutFolder”

Important: Do not turn off the scanner during this operation

In case that the writing of the files it hasn't been execute correctly, the images acquired are striped and with colors different from the original. Turn off the scanner, delete the folder “BuicLutFolder” and start again the scanner to download the dates concerning the calibration on the PC.

After transferring all the dates, automatically the main window of the program will open

1. Main dialogue window



In the window are present

Visualization of dates

Buic Scan v... Version of the program and utilized driver

Docs processed: Number of the documents processed (only with alimentation in batch)

Elapsed time(msecs): Time of sanctioning for each document (only with alimentation in batch)

Docs. per min.: Number of documents per minute (only with alimentation in batch)

Codeline Window of visualization of the magnetic codeline or OCR and dates regarding the scanned documents. Click on the line, you will visualize the correspondent document.

Device message: All the message from the scanner will be visualized

Hint: Advices, how to proceed

Model in Use Model of the scanner connected

Key buttons Function

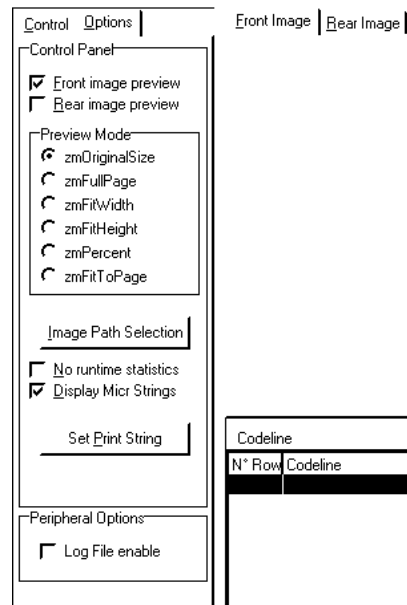
Batch Scan	It scans all the documents in the feeder
Start Polling	Automatic repetition of Single Scan
Single Scan	Scan of the document
Doc. Rigid	Scan of rigid documents Only for Buic 370 RD
Device Reset	Errors reset of the scanner
Front Image	If selected you will visualize the front of the image
Rear Image	If selected you will visualize the back of the image
Clear grid	Cancellation of the Codeline grille

Window for introduction of dates

Printing: Insert the string to print with the Inkjet (optional),
Note: It will work only in mode Single and Polling

Window for the selection of the mode visualization and codeline image

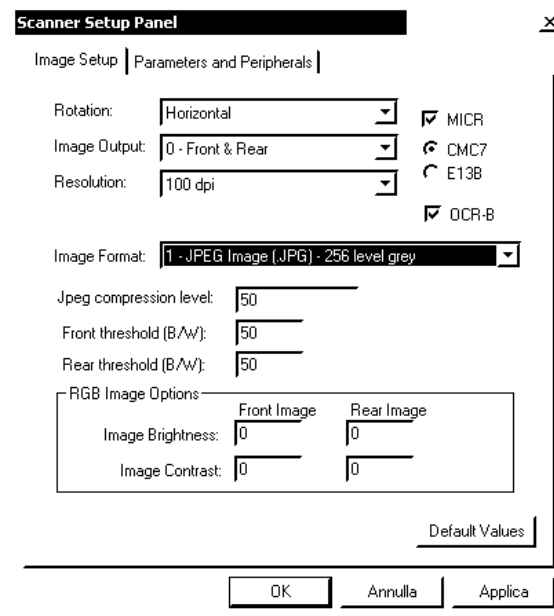
Click on **Option** to visualize the following screen:



It is possible to select, from the menu, the various mode of visualization of the image and of the codeline

2. Dialogue window for the selection of the image

Click on **Scanner Setup** to open the following window



From the menu, select the following parameters or functions:

Rotation	Function not available
Image Output	Acquisition : 0 = Back & Front, 1 = Front only, 2 = Back only, 3 = Front and back in one file, 4 = No
Resolution	Resolution 100x100 o 200x200 dpi
Image Format	Mode of acquisition: 0 = 256 L/G .BMP, 1 = 256 L/G .JPG, 2 = B/N .TIF 3 = B/N TIFF G4, 4 = Color .BMP, 5 = Color .JPG
Jpeg compres. Level	Mode of compression JPEG, if the number is small, the image will take a little space but also the quality will reduce; and vice versa Value suggested 50
Front/Rear Threshold (B/W)	Threshold signal for acquisition in Black/White; changes from 0 to 255 where 0 è light and 255 is dark), to adjust in function of the document (Default = 150)-.
RGB Image Options	Adjustment of the Brightness and contrast of the images in a grey level and color (Default = 0). Note: It will work only in Single Scan e Polling mode
MICR	Enable/unable the decode MICR
CMC7 o E13B	Kind of magnetic character to decode
OCRB	Enable/unable the decode of the characters OCRB (Optional)

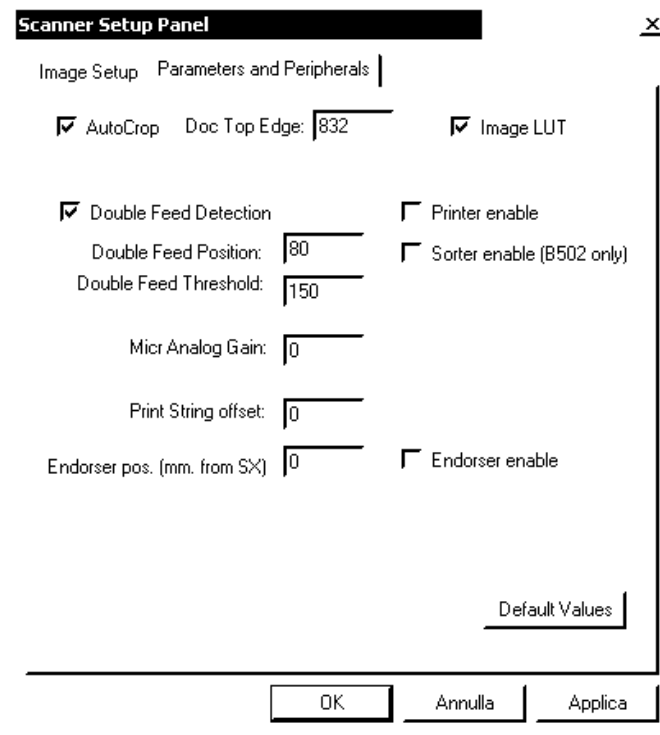
The key **OK** to confirm the modifications and up dating the file BXScanParams.ini under the working directory

The key **Delete** is to delete the modifications and to restore the previous screen

With the key **Default** is to restore the parameters of Default.

3. Window of configuration for the integrated peripheral

From the initial screen, click on **Parameters and Peripherals**



From the menu, is possible to select the following parameters:

Printer enable Inkjet Printer (optional)	Write in the main screen the part to print
Sorter enable – Drawer - Sorter (only for Buic502USB)	It able the drawer-sorter in case of cheques, with errors of recognition of the magnetic
Endorser enable Stamp to cancel (optional)	It prints on the front and/or back of the document
Endorser Position Stamp to cancel (only Buic 502)	It adjusts the position of the stamp (Optional) which can be positioned in every part of the document.

Double Feed Detection

Enable To enable or disable the check of the presence of a double document.

Position Adjusts the delay of Photocell Delay control (Default 80)

Threshold ad just the sensibility of the Thickness photosensor (Default 150)

Note:

On the scanner is installed a sensor to control the thickness of the document; if two documents are fed or a thick one, the machine will stop and it will be sent a message to the computer.

If on the documents there is a vertical black stripe, the sensor will activate the relative alarm. To avoid this inconvenient, you have to adjust the delete of enable of the thickness “**Position**”, so you can have a value superior to the thickness of the black stripe on the documents.

If you are dealing with documents that are quite thick or of a dark colour, the alarm (Double Feed Alarm) will go off often; so, it is possible to adjust the sensitivity of the photocell **Threshold**. The values go from 0 to 255 and the standard adjustment is about 150. If the alarm goes off every time, it means that you should increase this value, otherwise, if two documents can be fed contemporary, that means you should decrease this value. If the document is completely dark, you have to deactivate the “**Double feed Detection**”

Auto Crop

Enabled The area above the document will be removed automatically

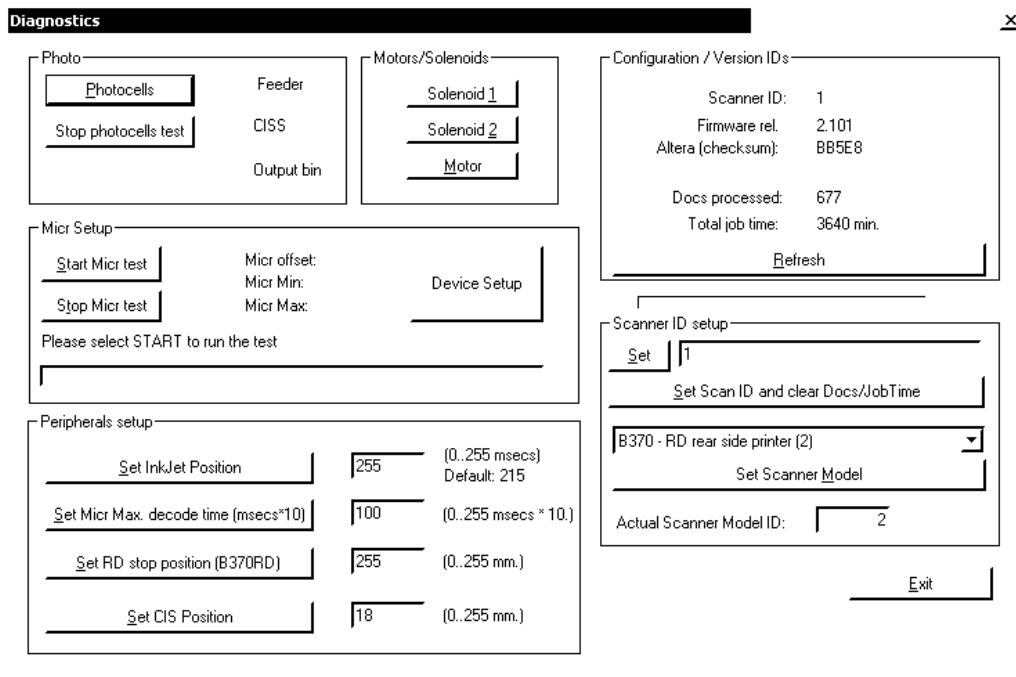
Print String Offset

It adjusts the position of the printed string with the Inkjet (Optional) which can be positioned in any part on the length of the document.

Attention: The remaining parameters are not available.

Diagnostic window

From the main window click on **Diagnostic**



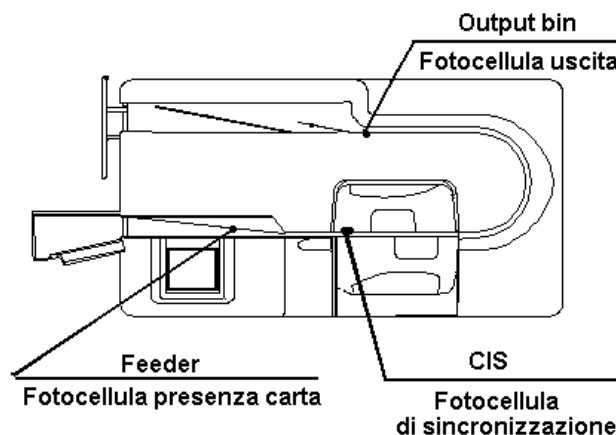
The diagnostic window allows the operator to control some functions of the equipment.

Note: These operations must be done in case of malfunction of the scanner with the help of a technician

Photo

Click on **Photocells** to enable the test function of the paper sensors

- To check the correct function of every photocell you have to insert a paper sheet in front of the photocells checking that the relative LED will be on



Click on **Stop photocells test** to unale the function.

Motors/Solenoids

- To activate the electromagnet of the Feeder press the key **Solenoid 1** if you here a click that means that it works correctly.
- To activate the electromagnet of the Endorser, if installed, press the key **Solenoid 2** and if you here a click, that means that it works correctly.
- To activate the Motor, press the key Motor.

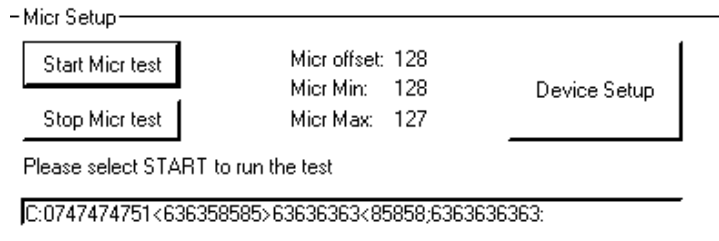
MICR Setup

Enable the MICR acquisition and select CMC7 or E13B depending of how the cheque is marked.

Inserire un assegno nel piano di alimentazione

Click on Start MICR Test, the cheque is fed so you will see the following data:

MICR Offset	Threshold adjustment
MICR Min	Level of magnetization of the codeline
MICR Max	
Codeline	Window with the recognized codeline



Click on Stop MICR test

Report the values to a professional technician.

Configuration / Ids Version

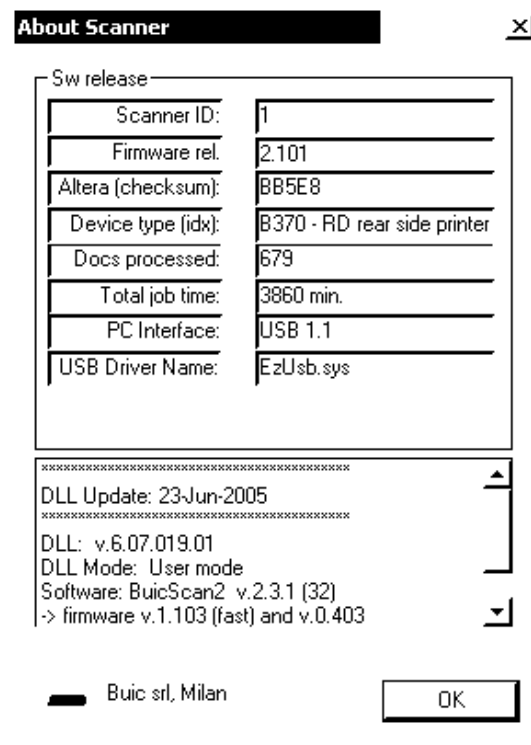
In the window it will be visualized:

Scanner Ids	Serial number of the scanner
Fimware rel.	Version in use of the Firmware
Altera (checksum)	Checksum
Doc. Processed	Number of processed documents
Total job time	Total working time of the scanner

Attention: The windows Scanner ID setup and Peripheral setup are not available

4. About the Scanner

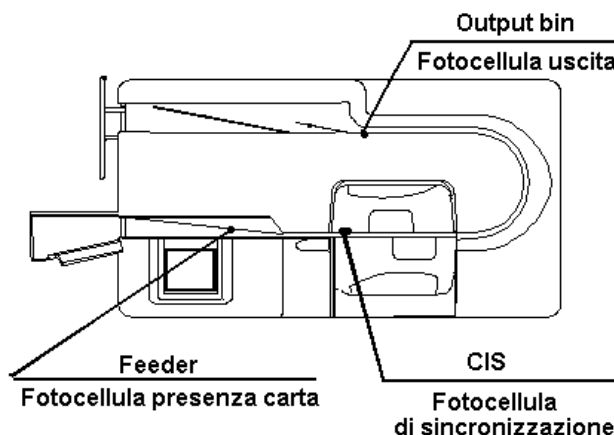
From the main window click on **About**



This window will visualize information regarding:

- Configuration of the scanner
- USB Port and installed Driver
- Software version

ERRORES CODES AND THEIR SOLUTION



Error	Message	Solution
38000	Scanner not found	Check that the scanner is on, connected correctly to the USB port, the LED ON LINE should be on. Verify that in the panel of control, System, Hardware, Management of peripherals, under the line Peripherals of imaging there is the name "Buic" (name of the program)
38001	USB configuration error	Reset the error and do a new scansion, if it happens again, call the technical assistance
38002	MICR Error	
38003	Internal error (Altera)	
38004	Internal error (LUT)	
38005	Cover open Copertura centrale sollevata	
38006	Paper Jam Documento inceppato	Press the key EJECT to action the motor and feed the jammed document, if it doesn't come out, lift up the central and remove manually the document (See Manual Operator)
38007	No document to scan Non ci sono documenti nel piano alimentazione	Insert the documents in the documents feed tray
38008	At least one doc. to scan	Documents present on the feeding tray
38009	Photo 2	Lift the central cover, check that there are not pieces of paper between the photo sensors (see picture above), with a can of compressed air spray between the photo sensors. If this error should appear again, call the technical assistance.
38010	Photo 3	
38011	Photo 1+2	
38012	Photo 1+3	
38013	Photo 1+2+3	
38014	Photo 2+3	
38015	Micro 1	Reset the error and do another scansion, If this error should appear again, call the technical assistance.
38016	Micro 2	
38017	Paper jam (CIS) Documento inceppato davanti al sensore CIS	See error 38006

38018	Paper jam (output bin) Documento inceppato davanti al sensore CIS	See error 38006
38019	Double feed detected Rilevato passaggio di due documenti contemporaneamente	Verify that there are two documents inside. If YES: Adjust the separator rolls (see manual operator) If NO: Adjust the parameters of control of the double feed detection (see instructions of the test program)
38100	Device not found or timeout error	Reset the error, do another scansion, If this error should appear again, call the technical assistance.
38020	Scanner reset error	
38101	Device not enabled	

38200	Error writing output file	Reset the error, do another scansion, If this error should appear again, call the technical assistance.
20000	Device Ready	Error on the device Reset the error, do another scansion, If this error should appear again, call the technical assistance.
20010	Device not found	
20020	Device no Doc	
20030	File creation error	
20040	Error in device status function: scanner was not able to answer	
20050	LUT file error	
20060	Invalid Image DATA: Trx error	
20070	Image size unknown	
20080	Jpeg compression error or Jpeg library missing	
20090	Tiff compression error or Tiff library missing	
20100	Disk file error: check disk space/permissions	
20110	Ocr library error: check/get dll	
38999	Unknown error	